

# ALTAVOCES MINIATURA

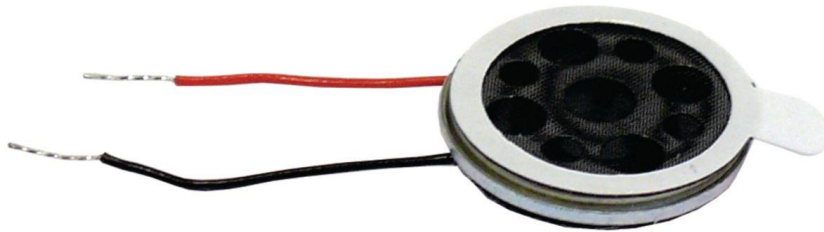
## VS-2812



<b>Peso</b>	0.004 kg
<b>Alcance de transmisión</b>	450 Hz...20000 Hz
<b>Impedancia</b>	8
<b>Length, noise baffle aperture</b>	13 mm
<b>Mean sound pressure level</b>	72 dB
<b>Music power handling</b>	1.5 W
<b>Noise baffle aperture</b>	13 x 23 mm
<b>Noise baffle aperture, L x W</b>	13 x 23 mm
<b>Rated power handling</b>	1 W
<b>Resonant frequency</b>	800 Hz

1.4 x 2.5 cm (0.5" x 1") small loudspeaker with paper diaphragm and rectangular plastic basket. Small size, therefore suitable for signal output in devices with space limitations.

## VS-2815



<b>Peso</b>	0.002 kg
<b>Alcance de transmisión</b>	700 Hz...20000 Hz
<b>Impedancia</b>	8
<b>Length, noise baffle aperture</b>	13 mm
<b>Mean sound pressure level</b>	71 dB
<b>Music power handling</b>	1 W
<b>Noise baffle aperture</b>	13 mm
<b>Noise baffle aperture, L x W</b>	13 x 13 mm
<b>Rated power handling</b>	0.5 W
<b>Resonant frequency</b>	1005 Hz

1.6 cm (0.63") miniature loudspeaker with very small-scale dimensions and front-mounted adhesive surface. Connection by stripped cable

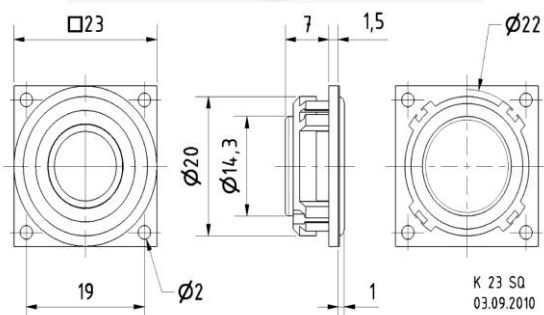
## VS-2820



<b>Peso</b>	0.004 kg
<b>Alcance de transmisión</b>	420 Hz...20000 Hz
<b>Impedancia</b>	8
<b>Length, noise baffle aperture</b>	21 mm
<b>Mean sound pressure level</b>	89 dB
<b>Music power handling</b>	0.5 W
<b>Noise baffle aperture</b>	21.0 mm
<b>Noise baffle aperture, L x W</b>	21 x 21 mm
<b>Rated power handling</b>	0.3 W
<b>Resonant frequency</b>	750 Hz

2.3 cm (0.9") miniature loudspeaker with Mylar membrane and round metal basket. Small size, therefore suitable for signal output in devices with space limitations.

### VS-2826



<b>Peso</b>	5 g
<b>Alcance de transmisión</b>	300 Hz...19000 Hz
<b>Impedancia</b>	8
<b>Mean sound pressure level</b>	74 dB
<b>Music power handling</b>	1 W
<b>Noise baffle aperture</b>	22.5 mm
<b>Rated power handling</b>	0.5 W
<b>Transmission max.</b>	19000 Hz
<b>Transmission min.</b>	300 Hz
<b>Width, noise baffle aperture</b>	22.5 mm

### VS-2840



<b>Peso</b>	0.01 kg
<b>Alcance de transmisión</b>	350 Hz...6000 Hz
<b>Impedancia</b>	8
<b>Length, noise baffle aperture</b>	36.5 mm
<b>Mean sound pressure level</b>	83 dB
<b>Music power handling</b>	2 W
<b>Noise baffle aperture</b>	36.5 mm
<b>Noise baffle aperture, L x W</b>	36.5 x 36.5 mm
<b>Rated power handling</b>	1 W
<b>Resonant frequency</b>	520 Hz

4 cm (1.6") miniature loudspeaker with plastic membrane (Mylar) and metal basket. Extremely flat design. Small size, therefore suitable for signal output in devices with space limitations.

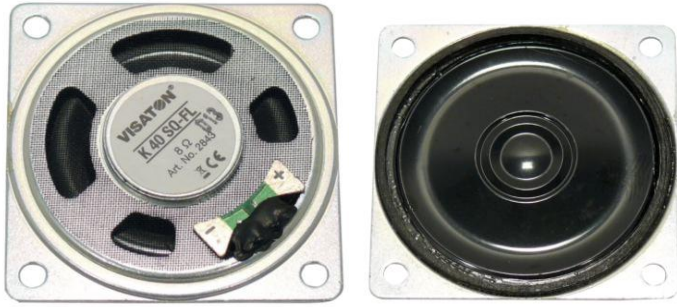
### VS-2841



<b>Peso</b>	0.01 kg
<b>Alcance de transmisión</b>	350 Hz...6000 Hz
<b>Impedancia</b>	50
<b>Length, noise baffle aperture</b>	36.5 mm
<b>Mean sound pressure level</b>	83 dB
<b>Music power handling</b>	2 W
<b>Noise baffle aperture</b>	36.5 mm
<b>Noise baffle aperture, L x W</b>	36.5 x 36.5 mm
<b>Rated power handling</b>	1 W
<b>Resonant frequency</b>	520 Hz

4 cm (1.6") miniature loudspeaker with plastic membrane (Mylar) and metal basket. Extremely flat design. Small size, therefore suitable for signal output in devices with space limitations.

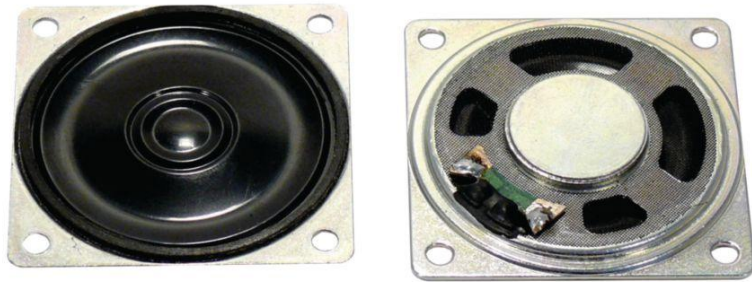
### VS-2843



4 cm (1.6") miniature loudspeaker with plastic membrane (Mylar) and metal basket. Extremely flat design. Small size, therefore suitable for signal output in devices with space limitations.

<b>Peso</b>	0.012 kg
<b>Alcance de transmisión</b>	280 Hz...12000 Hz
<b>Impedancia</b>	8
<b>Length, noise baffle aperture</b>	36 mm
<b>Mean sound pressure level</b>	81 dB
<b>Music power handling</b>	0.5 W
<b>Noise baffle aperture</b>	36 mm
<b>Noise baffle aperture, L x W</b>	36 x 36 mm
<b>Rated power handling</b>	0.3 W
<b>Resonant frequency</b>	500 Hz

### VS-2846



4 cm (1.6") miniature loudspeaker with plastic membrane (Mylar) and metal basket. Extremely flat design. Small size, therefore suitable for signal output in devices with space limitations.

<b>Peso</b>	0.014 kg
<b>Alcance de transmisión</b>	300 Hz...20000 Hz
<b>Impedancia</b>	8
<b>Length, noise baffle aperture</b>	35 mm
<b>Mean sound pressure level</b>	83 dB
<b>Music power handling</b>	1 W
<b>Noise baffle aperture</b>	35 mm
<b>Noise baffle aperture, L x W</b>	35 x 35 mm
<b>Rated power handling</b>	0.5 W
<b>Resonant frequency</b>	520 Hz

### VS-2849



4.5 cm (1.8") miniature loudspeaker with plastic membrane (Mylar) and metal basket. Small size, therefore suitable for signal output in devices and equipment with space limitations.

<b>Peso</b>	0.046 kg
<b>Alcance de transmisión</b>	300 Hz...14000 Hz
<b>Impedancia</b>	8
<b>Length, noise baffle aperture</b>	41.5 mm
<b>Mean sound pressure level</b>	83 dB
<b>Music power handling</b>	2 W
<b>Noise baffle aperture</b>	41.5 mm
<b>Noise baffle aperture, L x W</b>	41.5 x 41.5 mm
<b>Rated power handling</b>	1 W
<b>Resonant frequency</b>	520 Hz

### VS-2897



<b>Peso</b>	50 g
<b>Alcance de transmisión</b>	250 Hz...10000 Hz
<b>Impedancia</b>	8
<b>Mean sound pressure level</b>	83 dB
<b>Music power handling</b>	3 W
<b>Noise baffle aperture</b>	45 mm
<b>Rated power handling</b>	2 W
<b>Resonant frequency</b>	480 Hz

### VS-2901

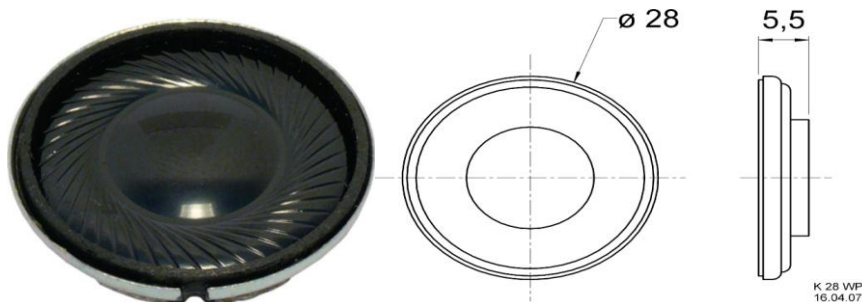


<b>Peso</b>	50 g
<b>Alcance de transmisión</b>	250 Hz...10000 Hz
<b>Impedancia</b>	8
<b>Mean sound pressure level</b>	83 dB
<b>Music power handling</b>	3 W
<b>Noise baffle aperture</b>	45 mm
<b>Protection rating</b>	IP 65
<b>Rated power handling</b>	2 W

Small speaker with plastic cone and metal basket

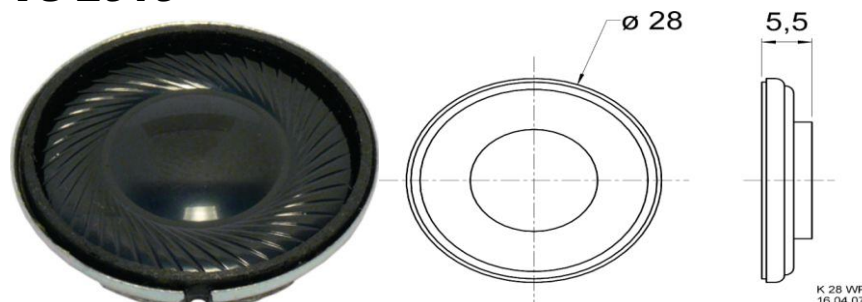
Thanks to small dimensions, particularly suitable for signal output in devices and systems with restricted amounts of space

### VS-2909



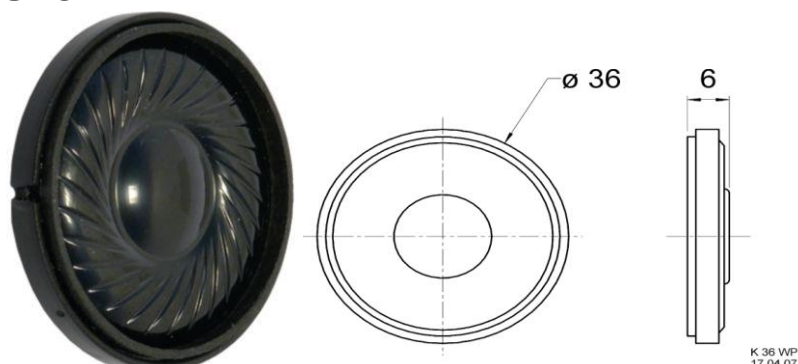
<b>Peso</b>	7 g
<b>Alcance de transmisión</b>	300 Hz...20000 Hz
<b>Impedancia</b>	8
<b>Mean sound pressure level</b>	75 dB
<b>Music power handling</b>	2 W
<b>Noise baffle aperture</b>	21 mm
<b>Protection rating</b>	IP 65
<b>Rated power handling</b>	1 W

### VS-2910



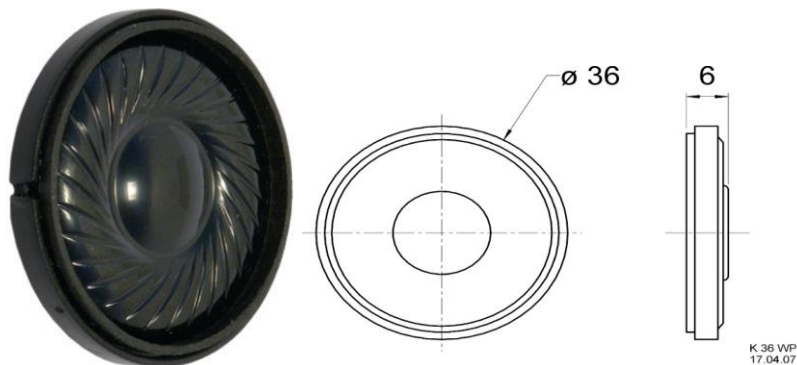
<b>Peso</b>	7 g
<b>Alcance de transmisión</b>	300 Hz...20000 Hz
<b>Impedancia</b>	50
<b>Mean sound pressure level</b>	75 dB
<b>Music power handling</b>	2 W
<b>Noise baffle aperture</b>	21 mm
<b>Protection rating</b>	IP 65
<b>Rated power handling</b>	1 W

### VS2912



<b>Peso</b>	6 g
<b>Alcance de transmisión</b>	300 Hz...20000 Hz
<b>Impedancia</b>	8
<b>Mean sound pressure level</b>	77 dB
<b>Music power handling</b>	2 W
<b>Noise baffle aperture</b>	31 mm
<b>Protection rating</b>	IP 65
<b>Rated power handling</b>	1 W

### **VS2913**



<b>Peso</b>	6 g
<b>Alcance de transmisión</b>	300 Hz...20000 Hz
<b>Impedancia</b>	50
<b>Mean sound pressure level</b>	77 dB
<b>Music power handling</b>	2 W
<b>Noise baffle aperture</b>	31 mm
<b>Protection rating</b>	IP 65
<b>Rated power handling</b>	1 W

### **VS-2916**



<b>Peso</b>	48 g
<b>Alcance de transmisión</b>	180 Hz...17000 Hz
<b>Impedancia</b>	50
<b>Mean sound pressure level</b>	84 dB
<b>Music power handling</b>	3 W
<b>Noise baffle aperture</b>	46 mm
<b>Protection rating</b>	IP 65
<b>Rated power handling</b>	2 W

Waterproof. 5 cm (2") broadband speaker with plastic basket and plastic cone. Wide transmission range and good voice comprehension. Particularly suitable for outdoor applications and under critical ambient conditions

### **VS-2918**



<b>Peso</b>	50 g
<b>Alcance de transmisión</b>	200 Hz...15000 Hz
<b>Impedancia</b>	8
<b>Mean sound pressure level</b>	86 dB
<b>Music power handling</b>	3 W
<b>Noise baffle aperture</b>	60 mm
<b>Protection rating</b>	IP 65
<b>Rated power handling</b>	2 W

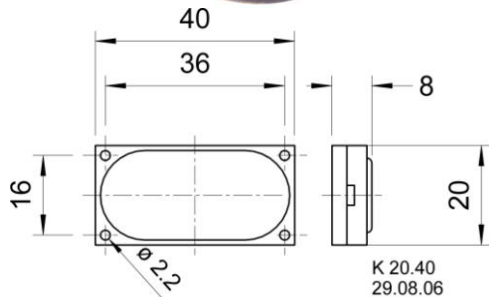
Waterproof. With plastic basket and plastic membrane. Wide transmission range and good voice comprehension . Particularly suitable for outdoor applications and in environments with high moisture . Usable as monitor loudspeaker for electronic devices or in outside areas

### **VS-2919**



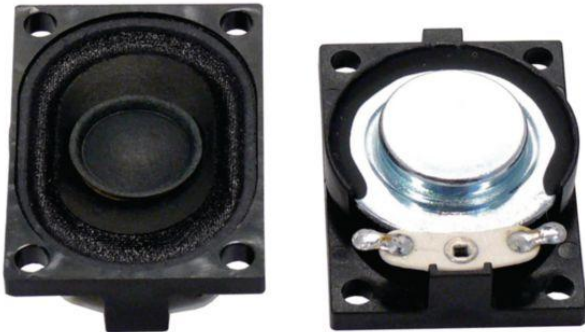
<b>Peso</b>	50 g
<b>Alcance de transmisión</b>	200 Hz...15000 Hz
<b>Impedancia</b>	50
<b>Mean sound pressure level</b>	86 dB
<b>Music power handling</b>	3 W
<b>Noise baffle aperture</b>	60 mm
<b>Protection rating</b>	IP 65
<b>Rated power handling</b>	2 W

## VS2941



<b>Peso</b>	7 g
<b>Alcance de transmisión</b>	300 Hz...20000 Hz
<b>Impedancia</b>	8
<b>Length, noise baffle aperture</b>	38 mm
<b>Mean sound pressure level</b>	76 dB
<b>Music power handling</b>	2 W
<b>Noise baffle aperture</b>	38 x 18 mm
<b>Noise baffle aperture, L x W</b>	38 x 18 mm
<b>Rated power handling</b>	1 W

## VS-2945



<b>Peso</b>	0.014 kg
<b>Alcance de transmisión</b>	230 Hz...20000 Hz
<b>Impedancia</b>	8
<b>Length, noise baffle aperture</b>	26 mm
<b>Mean sound pressure level</b>	79 dB
<b>Music power handling</b>	3 W
<b>Noise baffle aperture</b>	26 x 37 mm
<b>Noise baffle aperture, L x W</b>	26 x 37 mm
<b>Rated power handling</b>	2 W
<b>Resonant frequency</b>	450 Hz

2.8 x 4 cm (1.1" x 1.6") small loudspeaker with paper membrane and rectangular plastic basket. Small size due to neodymium drive.

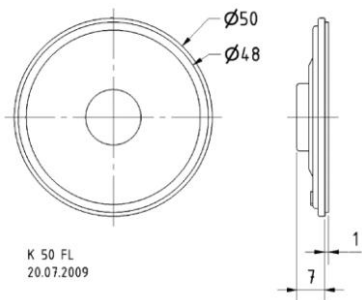
## VS-2952



<b>Peso</b>	0.18 kg
<b>Alcance de transmisión</b>	220 Hz...16000 Hz
<b>Impedancia</b>	8
<b>Length, noise baffle aperture</b>	52 mm
<b>Mean sound pressure level</b>	83 dB
<b>Music power handling</b>	2 W
<b>Noise baffle aperture</b>	52 mm
<b>Noise baffle aperture, L x W</b>	52 x 52 mm
<b>Rated power handling</b>	1 W
<b>Resonant frequency</b>	350 Hz

5.7 cm (2.2") miniature loudspeaker with plastic membrane (Mylar) and metal basket. Extremely flat design, therefore suitable for signal output in devices and equipment with limited installation depth.

## VS-K50FL-16



Mini altavoz de 5 cm (2") con diafragma de plástico. Diseño muy compacto. Buena reproducción de voz.

- Salida de señal en máquinas y otros dispositivos donde el espacio es escaso.
- Muy recomendable para aplicaciones exteriores y donde las condiciones atmosféricas suelen ser desfavorables.
- 5 cm (2") miniature speaker with plastic diaphragm. Very compact design. Good speech reproduction.

**Peso** 14 g

**Alcance de transmisión** 150 Hz...20000 Hz

**Impedancia** 16

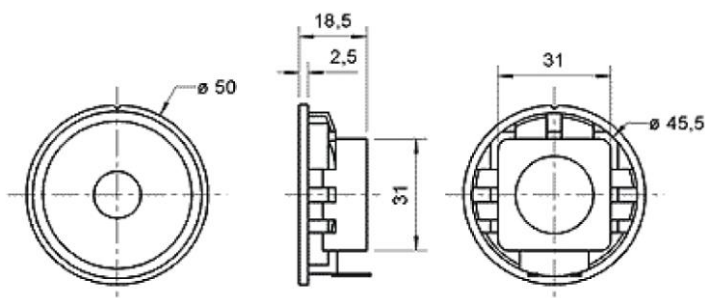
**Mean sound pressure level** 80 dB

**Music power handling** 2 W

**Noise baffle aperture** 46 mm

**Rated power handling** 1 W

## VS-K50WP



Altavoz con superficie magnética de 5 cm(2"). Contrucción altamente compacta de peso ligero. Con imanes.

- 5 cm (2") full-range speaker with a plastic basket and plastic diaphragm. Broad frequency response and good voice reproduction. Particularly well suited to outdoor applications and where ambient conditions are generally unfavourable (e.g. high humidity).

**Peso** 48 g

**Alcance de transmisión** 180 Hz...17000 Hz

**Impedancia** 8

**Mean sound pressure level** 84 dB

**Music power handling** 3 W

**Noise baffle aperture** 46 mm

**Protection rating** IP 65

**Rated power handling** 2 W

**JOSE DEL HIERRO 44 28027 MADRID TEL : 913671690 FAX : 913775401 e-MAIL: palcoelectronic@hotmail.com**

Fotos no contractuales. Características validas salvo error tipográfico. Reservado el derecho de modificar las características o materiales de esta oferta por falta de stock.